

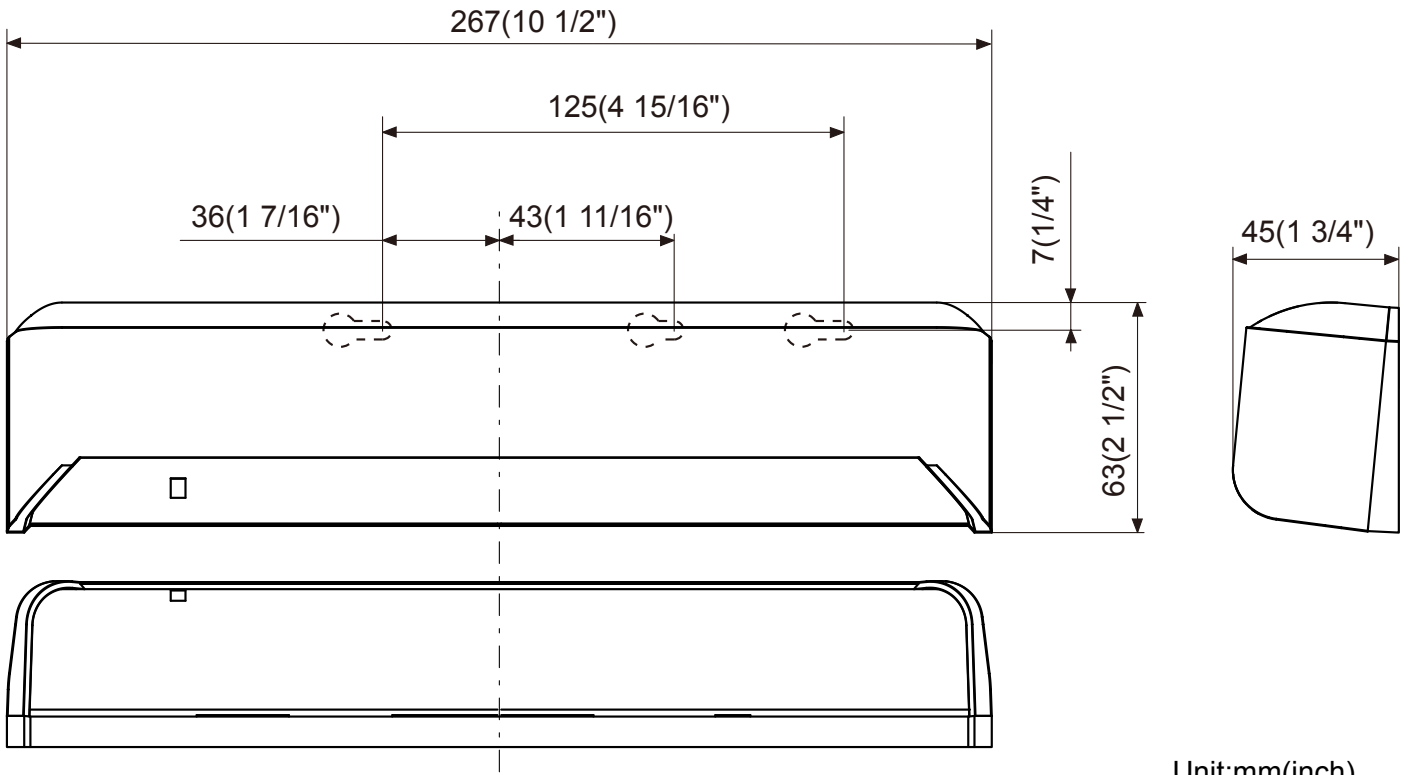
□ : Emitting spots    □□□□ : Detection Area

■ : Emitting spots (Can be eliminated)

[mm(feet,inch)]

Mounting Height	2,500 (8'2")	3,000 (9'10")	3,500 (11'6")	4,000 (13'2")	4,500 (14'9")
A	160 (6")	200 (8")	230 (9")	260 (10")	290 (11")
B	480 (1'7")	580 (1'11")	670 (2'2")	760 (2'6")	850 (2'9")
C	930 (3'6")	1,100 (3'7")	1,300 (4'3")	1,480 (4'11")	1,660 (5'5")
D	1,540 (5'1")	1,850 (6'1")	2,160 (7'1")	2,460 (8'1")	2,760 (9'1")
E	2,170 (7'1")	2,600 (8'6")	3,030 (9'11")	3,460 (11'4")	3,890 (12'9")
F	1,510 (4'11")	1,810 (5'11")	2,110 (6'11")	2,400 (7'11")	2,700 (8'10")
G	3,150 (10'4")	3,790 (12'5")	4,420 (14'6")	5,050 (16'7")	5,680 (18'8")
Z	250 (10")	300 (12")	350 (1'2")	400 (1'4")	450 (1'6")

Model	: OA-4500S(E)
Color	: Black
Mounting Height	: 2.5m(8'2") to 4.5m(14'9")
Detection area	: See DETECTION AREA
Detection method	: Active infrared reflection method (All presence detection)
Depth adjustment	: 1st to 3rd rows: -6° to +6° 4th and 5th rows: +26° to +44°
Power supply	: 12 to 24V AC ±10% (50/60Hz) 12 to 30V DC ±10%
Power consumption	: < 2.5W (< 4VA at AC)
Operation indicator	: Green / Stand-by Red / 1st row detection Orange / 2nd to 5th rows detects
Activation output	: When 3rd, 4th or 5th row detects. N.C. / N.O. selectable 50V0.3A MAX.(Resistance load)
Safety output	: When 1st or 2nd row detects. N.C. / N.O. selectable 50V0.3A MAX.(Resistance load)
Output hold time	: Approx. 0.5 sec.
Response time	: <0.3 sec.
Operation temperature	: -20°C to +55°C(-4°F to 131°F)
Operating humidity	: <80%
IP rate	: IP54
Weight	: 320g(11.3oz)
Accessories	: 1 Cable 4m(13'2") 2 Mounting screws 1 Mounting template 1 Operation manual 1 Area adjustment tool



Unit:mm(inch)