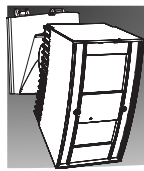


REDWALL[®]
Unrivalled performance

INSTALLATION INSTRUCTIONS



Synthesized Intelligent PIR



REDWALL-V series

FEATURES

- * Intelligent PIR Detection System
 - Detection of ambient temperature and illuminance for automatic sensitivity management
 - Advanced detection algorithm
 - Three dual pyro-elements with patented Double Conductive Shielding for main area
- * Built-in creep zone detector (Double dual pyro-elements)
- * Anti-vandalism functions
 - Anti-rotation function with accelerometer
 - Anti-masking function with photo-beam
 - Reinforced polycarbonate housing
 - Max. 4m (13ft.) installation height
- * Independent sensitivity selector for creep/near/far areas
- * Detection logic selector
- * Detection range selector
- * Independent N.C. and N.O. outputs
- * Adjustable alarm interval time

REDWALL-V

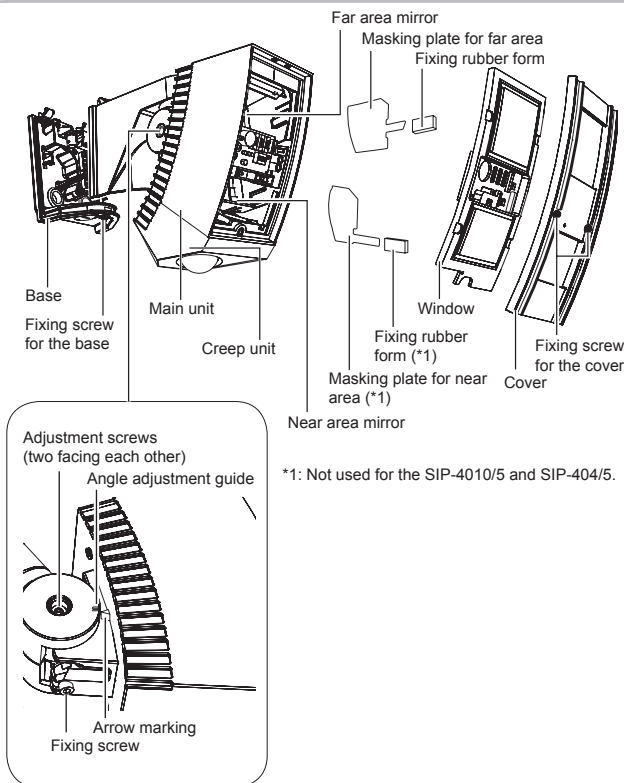


* UL/c-UL Listed

: Synthesized Intelligent PIR with creep zone

- SIP-3020/5
- SIP-4010/5
- SIP-404/5

1 PARTS IDENTIFICATION



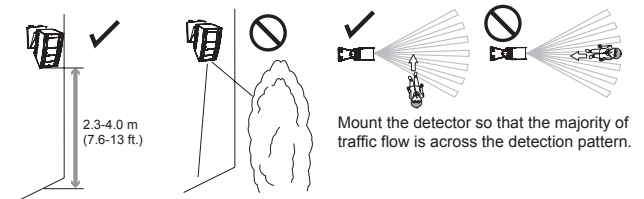
2 INSTALLATION AND MAINTENANCE NOTES

Warning	Failure to follow the instructions provided with this indication and improper handling may cause death or serious injury.
Caution	Failure to follow the instructions provided with this indication and improper handling may cause injury and/or property damage.

The check ✓ mark indicates recommendation.
The nix ⊘ sign indicates prohibition.

Warning	Caution
 Never repair or modify product	 Hold the main unit securely when you install or service it. If you remove your hands from the main unit when cables are connected to it, the main unit may fall and the connector cables may break or the circuit board may be damaged.
 Nylon wire loop	 Caution Verify that the power is off before connecting the wiring.
 When servicing, the sensor can be hooked onto the base using the nylon wire loop.	

2-1 INSTALLATION HINTS



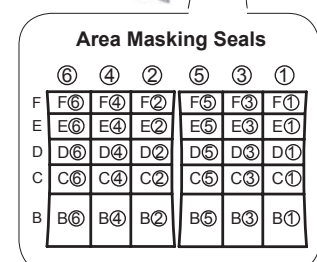
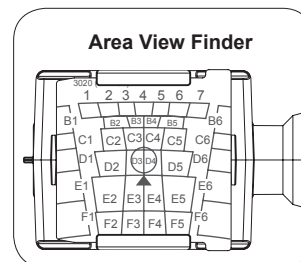
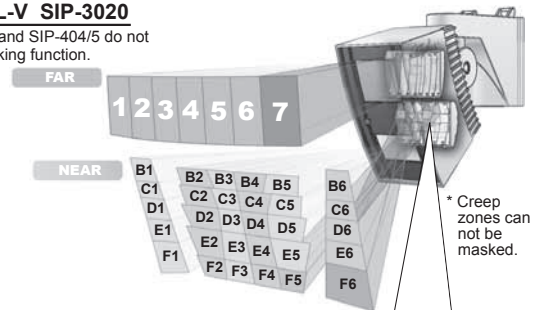
The detection zones of Redwall-V, which may be cause of false alarms can be eliminated by masking.

1. To confirm detection zones
Use optional Area View Finder, AVF-1
2. To eliminate unnecessary detection zones
 - a. Use supplied area masking seals.
 - b. Use equipped area masking plates.

The following shows an example;
Detection zones and related segments of the mirror of SIP-3020.
See step 4-1 and 6.

REDWALL-V SIP-3020

* SIP-4010/5 and SIP-404/5 do not have a masking function.



* UL-1: SIP-3020/5, -4010/5 and -404/5 are recommended not to be connected to an alarm initiating circuit but may be connected to a trouble alarm circuit if nuisance trips are not tolerable.

ENGLISH

FRANÇAIS

DEUTSCH

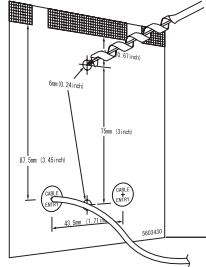
ITALIANO

ESPAÑOL

3 INSTALLATION AND ANGLE ADJUSTMENT

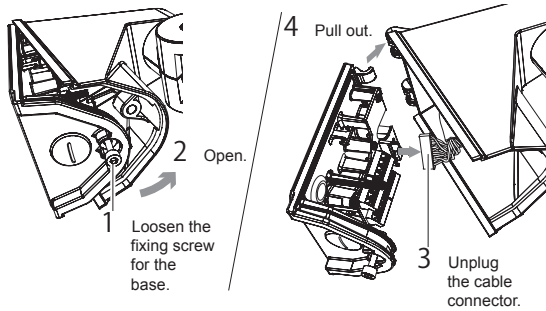
3-1 Wall Mounting

- (1) Attach the paper template (an accessory) onto the wall, and drill a 6-mm dia. mounting hole and a cabling hole. Insert the anchor bolt (an accessory) into the board mount hole.

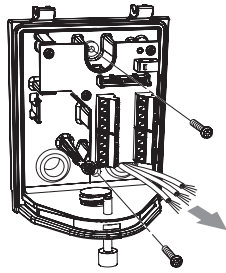


Distance from the ground to the bottom of the template must be between 2.3 m (7.6 ft.) and 4 m (13 ft.).

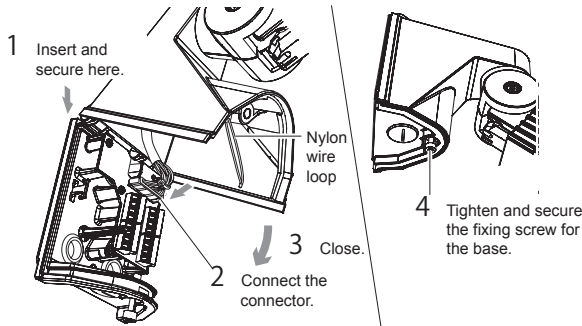
- (2) Using an allen key, remove the main unit from the base.



- (3) Drill through the bushing of the wiring hole, pass the cable through the hole, and secure the base to the wall.



- (4) Connect the cable to the terminal block (see Step 3-3).
- (5) Mount the main unit onto the base.



Cautions>>

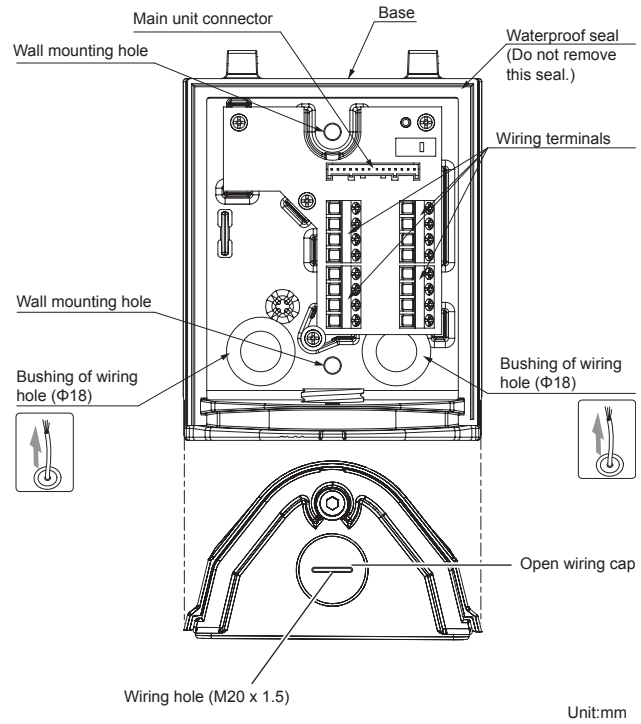
When mounting the main unit, take care not to trap the nylon wire loop. Also, take care not to get your fingers caught.

- (6) Check to see that the various settings and operations are correct.

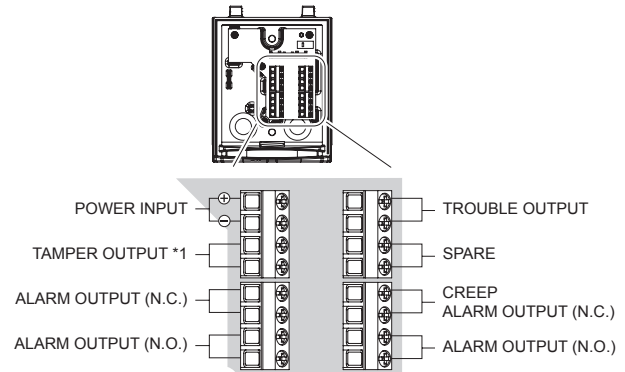
Caution>>

When the red LED flashes after the power turns on, this signifies that the system is warming up. Wait for approximately 60 seconds.

3-2 Inside View of the Base



3-3 WIRING



*1: TAMPER terminals to be connected to a 24 hour supervisory loop.

Name	Function
TROUBLE OUTPUT	Trouble out is used for anti-masking signal. When an object is placed close to the lens surface, for a period of more than 100 seconds (approx.), the IR anti-masking circuit will activate and generate a trouble signal.
TAMPER OUTPUT	It is detected when the cover is opened.
	It is detected when the main unit is removed from its base.
TAMPER OUTPUT	Anti-Rotation: Damage sustained by the main unit is detected. If the main unit is impacted in a horizontal or vertical direction and if the position of the main unit has changed, damage sustained by the main unit will be detected.

* UL-2: All relay outputs of Alarm/Trouble are resistive load only.

* UL-3: UL requires that the detector is to be connected to a UL listed Burglar power supply Class 2, capable of providing an input range of not greater than 11 VDC - 26 VDC, 50 mA and battery standby time of 4 hours.

* UL-4: The equipment shall be installed in accordance with the National Electrical Code, NFPA 70.

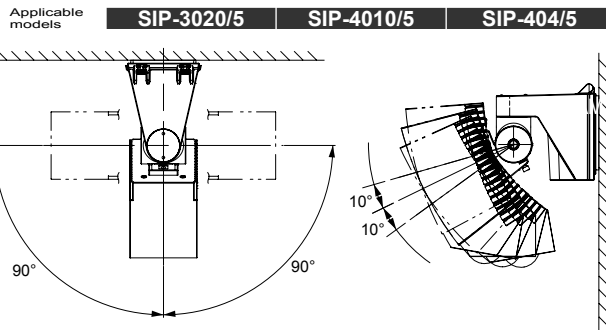
Power wires should not exceed the following lengths.

WIRE SIZE	SIP-3020/5, SIP-4010/5, SIP-404/5		
	12V DC	14V DC	24V AC
0.33 mm ² (AWG22)	470 (1540)	830 (2720)	850 (2790)
0.52 mm ² (AWG20)	740 (2430)	1300 (4270)	1340 (4400)
0.83 mm ² (AWG18)	1180 (3870)	2080 (6820)	2140 (7020)

m (ft.)

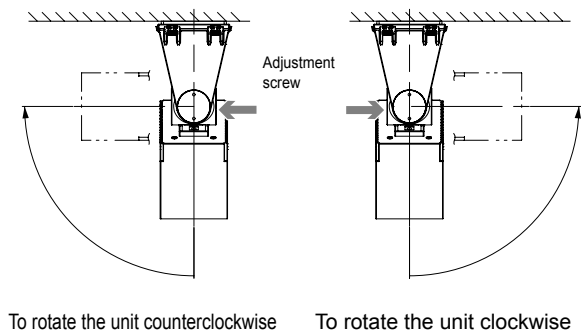
4 DETECTION AREA SETTING

You can adjust the detection area by 90 degrees in a horizontal direction and by 10 degrees in a vertical direction. Correct the vertical detection angle according to the mounting height of the sensor unit.



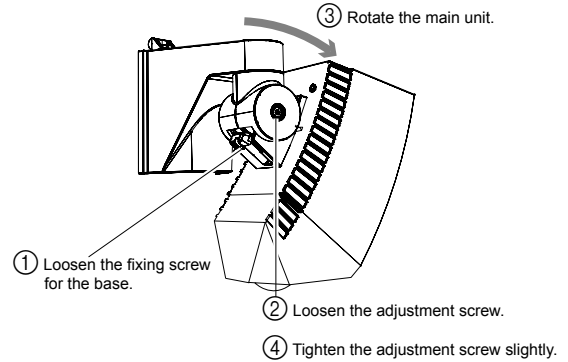
Cautions>>

To rotate the main unit counterclockwise, loosen the RH-side adjustment screw. To rotate the main unit clockwise, loosen the LH-side adjustment screw. Otherwise, you may find it difficult to tighten or you may find that you cannot tighten the adjustment screw when you are securing the main unit.

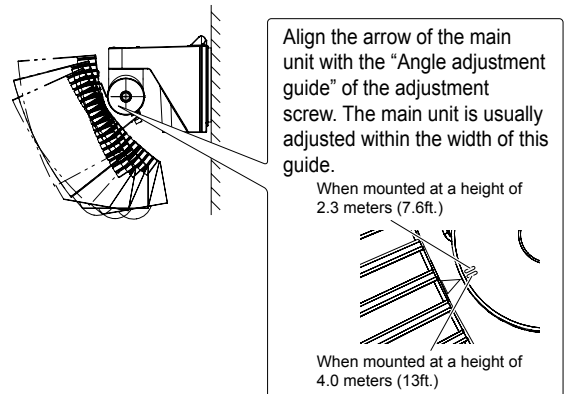


4-1 Main Detection Area Setting

- (1) Adjust the angle of the main unit in a horizontal direction so that you can cover the desired detection area.



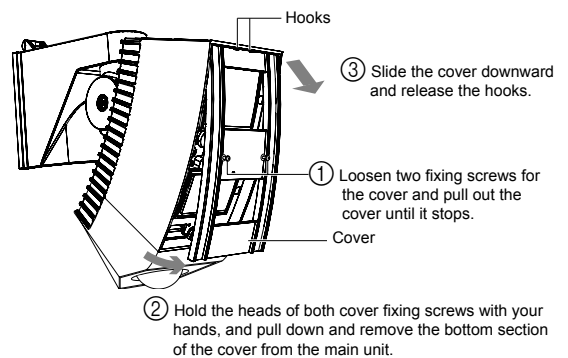
- (2) Adjust the angle of the main unit in a vertical direction so that you can cover the desired detection area.



Cautions>>

If the mounting wall is at an angle, the arrow of the main unit may exceed the top or bottom limit of "Angle adjustment guide". Always check this using the area viewfinder or the walk tester. If the detection area is too high or too low, an object outside the detection area may be detected or incorrect object detection may occur.

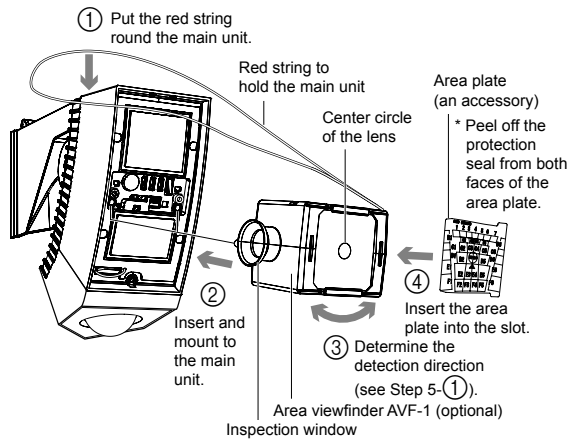
- (3) Remove the cover.



Cautions>>

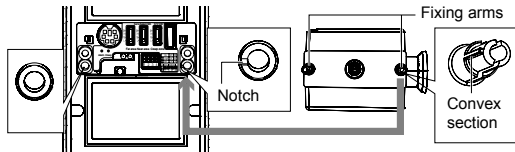
The cover is linked to the main unit by nylon wire loop so that the cover does not fall. Do not pull the cover using excessive force.

(4) Mount the area viewfinder.

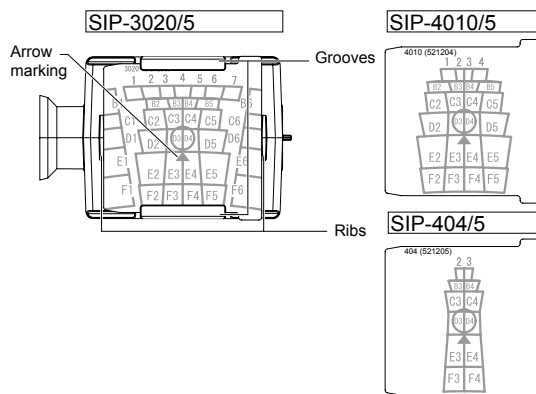


Mounting tips>>

- Engage the convex section of the area viewfinder fixing arms with the notches of the main unit, and insert and mount the arms.

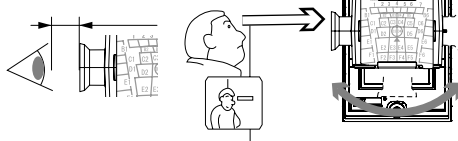


- Mount the area plate so that an arrow of the plate center section faces upward and the letter surface can be seen.
- Insert the area plate into the top and bottom grooves of the area viewfinder until the plate is stopped by the ribs.



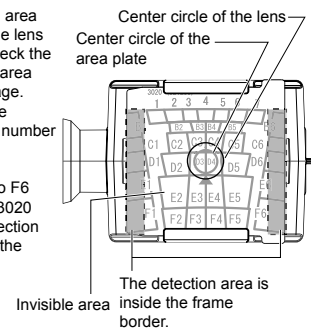
(5) Fine adjust the main unit angle in vertical and horizontal direction by observing the target area through the area viewfinder.

- To change the direction of the inspection window, rotate the area viewfinder in a horizontal direction until it clicks and stops.
- Move your face close to the viewfinder so that your eye comes within 5 mm of the inspection window (lens surface).



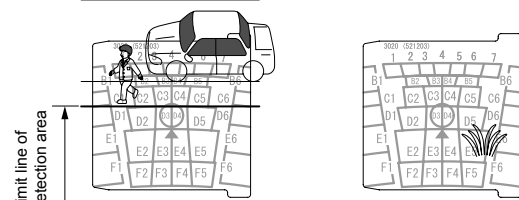
- Locate the center circle of the area plate on the center circle of the lens of the area viewfinder, and check the detection area pattern on the area plate and the background image.

- Each letter on the area plate corresponds to each mirror number (see Step 8-2).
- You cannot observe mirror numbers B1 to F1 and B6 to F6 (shown at right) of the SIP-3020 area plate through the inspection window. Check them using the walk tester.



Adjusting tips>>

If you experience any of the following, see Step 10.



The sensor area is extended over the street where a person walks or a car drives.

Branches of a tree and grass move when the wind blows.

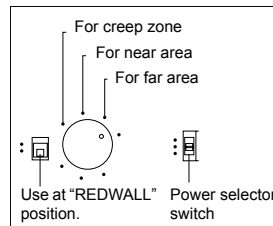
Cautions>>

- The area viewfinder is a supporting tool for detection area adjustment.
- After you have adjusted the detection area using the area viewfinder, always check the area using the walk tester.
- Never look directly into the sun through the area viewfinder.
- After you have used the area viewfinder, store it away from direct sunlight.

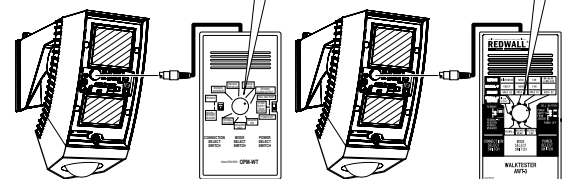
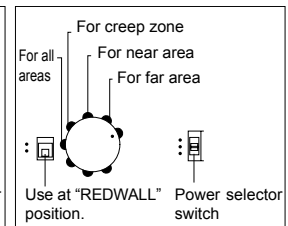
- Securely tighten the adjustment screw that you have loosened.

- Connect the walk tester (optional) to the sensor unit, and check that the detection area is correct.

(OPM-WT)



(AWT-3)

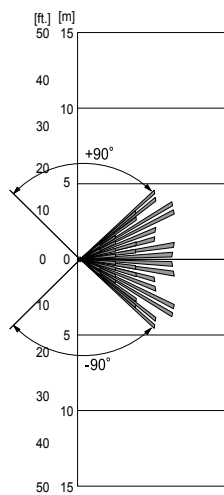
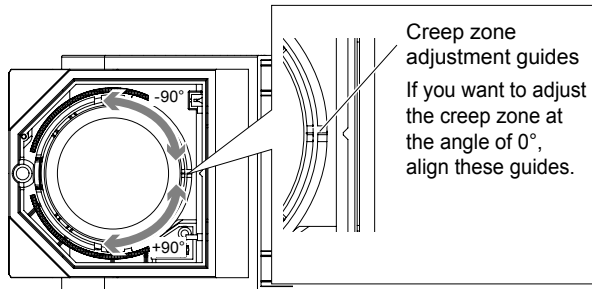


- When the power selector switch is turned to "POWER SUPPLY FROM SENSOR" position after plugging the cable into the walk tester connector, a continuous beeping sound will be heard.
- When a pedestrian first enters the detection area, the strong and weak beeps will sound alternately.
- When the entirety of a pedestrian's body is detected, the strong beep will sound continuously.

4-2 Creep Zone Detection Area Setting

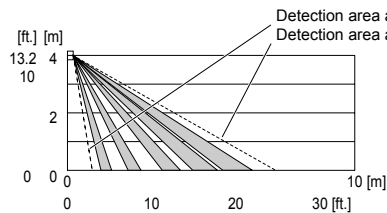
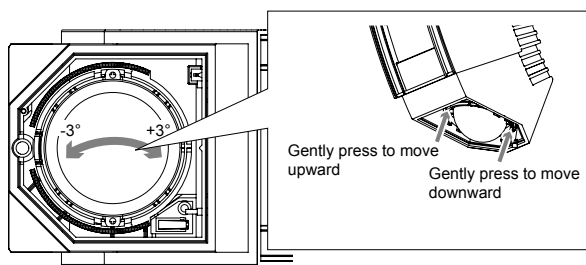
(1) Adjust the creep zone horizontally.

The creep zone detection area can be adjusted between -90° and 90° horizontally.



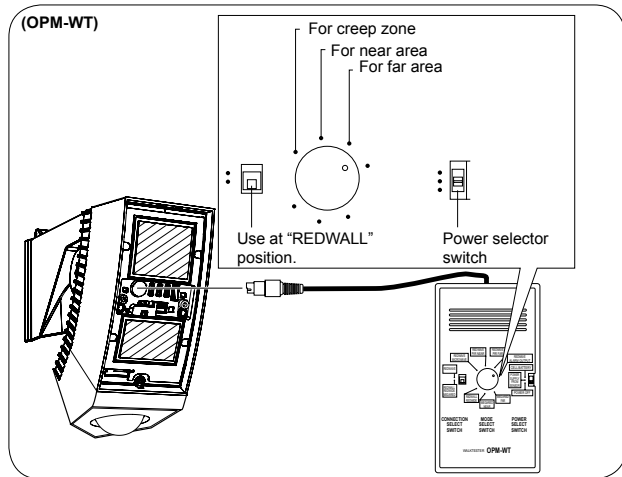
(2) Adjust the creep zone vertically.

The creep zone detection area can be adjusted between -3° and 3° vertically.



(3) Connect the walk tester (optional) to the sensor unit, and check that the detection area is correct.

- ① When the power selector switch is turned to "POWER SUPPLY FROM SENSOR" position after plugging the cable into the walk tester connector, a continuous beeping sound will be heard.
- ② When a pedestrian first enters the detection area, the strong and weak beeps will sound alternately.
- ③ When the entirety of a pedestrian's body is detected, the strong beep will sound continuously.



Cautions>>

When you are checking the detection area, take care not to cover the shaded area of the window with the walk tester or its cable. If infrared beams to the sensor are partially shielded, the detection sensitivity will drop and the detection operation may fail.

If it is difficult to detect an object>>

1. Set the detection logic switch to the "OR" position (see Step 5-2).
If the sensor is OK when you have completed the walk test, return the logic switch to the "AND" position.
2. Adjust the sensor sensitivity switch (see Step 5-1).

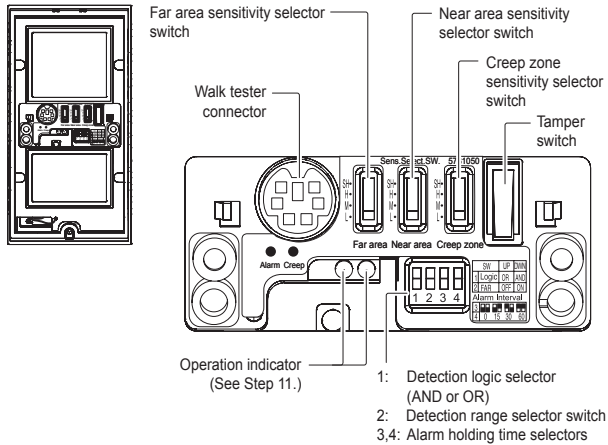
To mask the detection area>>

Detection area	How to mask the area	Reference
Far area	Use the switch.	5-3
	Use the masking plate (mounted in the main unit).	Step 7
Near area	Use the masking plate (mounted in the main unit).	8-1
	Attach the masking seal (an accessory) to the area mirror surface.	8-2

- Creep zone cannot be masked.

5 FUNCTION SETTING

Applicable models **SIP-3020/5** **SIP-4010/5** **SIP-404/5**

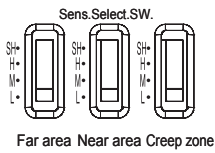


Cautions>>
If the red LED keeps blinking for approx. 60 seconds after turning the power on, turn the power off and then on again.

5-1 Sensitivity Selector Switch for Far Area, Near Area and Creep Zone

Applicable models **SIP-3020/5** **SIP-4010/5** **SIP-404/5**

You can change the sensitivity for far area detection, near area detection and creep zone detection independently.

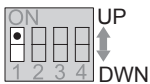


SELECTOR POSITION	FUNCTION
SH	Suitable for sites requiring a level of sensitivity higher than "H"
H	Suitable for sites requiring a level of sensitivity higher than "M"
M (Factory default)	Suitable for standard applications
L	Suitable for hostile and narrow area

5-2 Detection Logic Selector Switch Dip switch 1

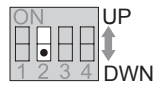
Applicable models **SIP-3020/5** **SIP-4010/5** **SIP-404/5**

Detection area of SIP-3020/5, SIP-4010/5 and SIP-404/5 consist of two types of plane detection areas in an alternative manner constructed by two pairs of pyro-elements, for the near and the creep zone.

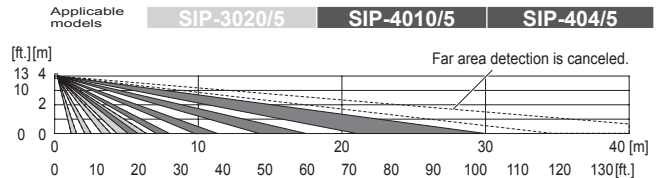
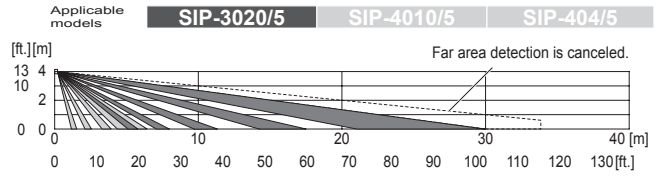


SELECTOR POSITION	STATUS	FUNCTION
UP	OR (Factory default)	A sensor signal is output when an object is detected in either of the two detection areas. * Use this mode when you adjust the detection area. Switch to AND mode after you have finished the <u>detection area adjustment</u> .
DWN	AND	Use this mode to reduce instances of incorrect detection of objects. The sensor signal is output only when an object is detected within the two detection areas. If any objects are blocking multiple detection areas, use OR mode.

5-3 Detection Range Selector Switch Dip switch 2



SELECTOR POSITION	STATUS	FUNCTION
UP	OFF	Cancels the far area detection. The detection area is reduced as shown below.
DWN	ON (Factory default)	Enables the far area detection.



Cautions>>
If you cancel the far area detection, the detection distance is limited to approximately 20 meters (65ft.). Be sure to readjust and check the detection area using the area viewfinder and the walk tester.

5-4 Alarm Interval Switch Dip switch 3-4

Applicable models **SIP-3020/5** **SIP-4010/5** **SIP-404/5**

You can set an interval (4 different times) to suspend the alarm signal output. For example, if you set this interval to 30 seconds, no more alarm signals will be output for 30 seconds after the output of the first alarm signal. If no pedestrians are detected for more than 30 seconds, the system returns to the standby mode. Then, when a pedestrian is detected, the alarm signal will be output.

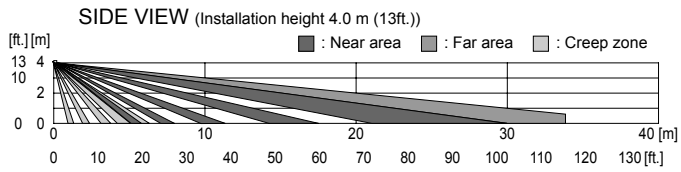
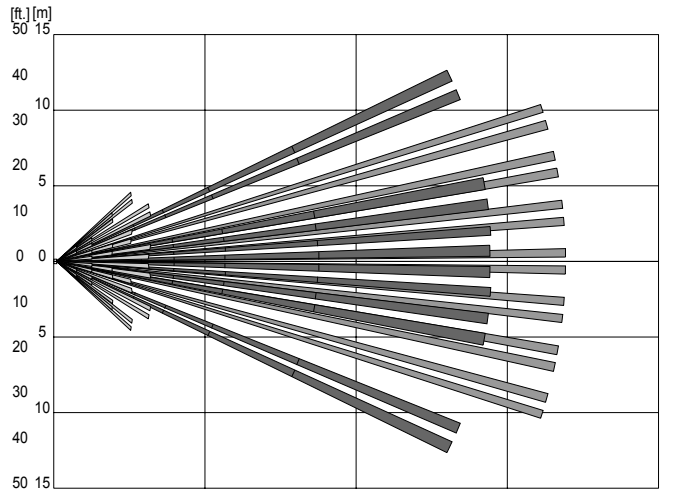
SELECTOR POSITION	ON	ON	ON	ON
FUNCTION	0 sec (Factory default)	15 sec	30 sec	60 sec

* UL-5: If movement occurs continuously during the time interval directly after the first alarm, the time period for no alarms starts over.

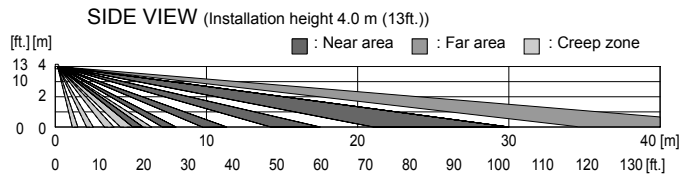
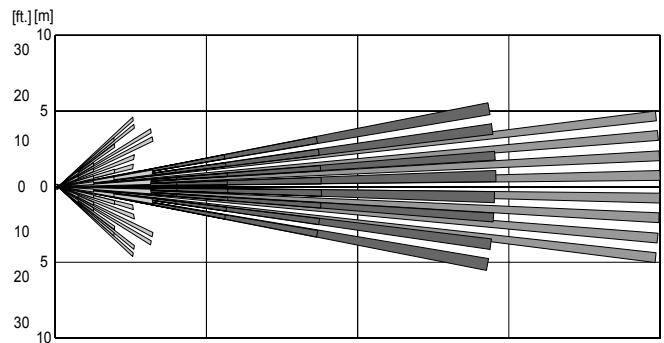
6

DETECTION AREA

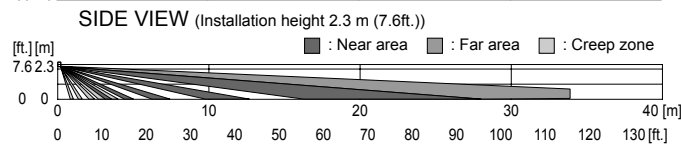
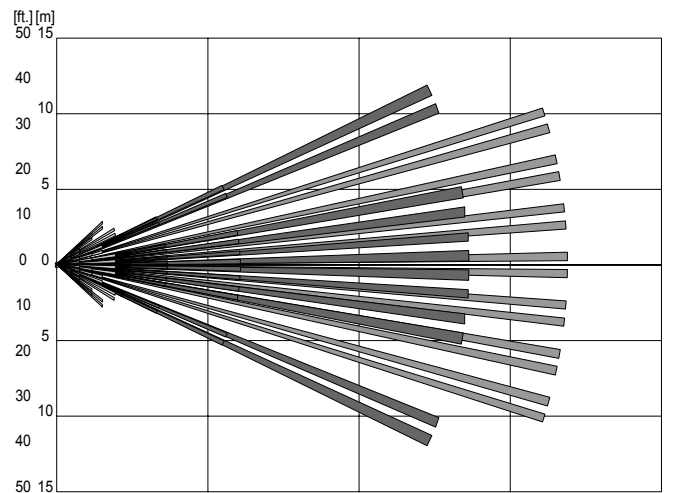
Applicable models: **SIP-3020/5** SIP-4010/5 SIP-404/5
TOP VIEW (Installation height 4.0 m (13ft.))



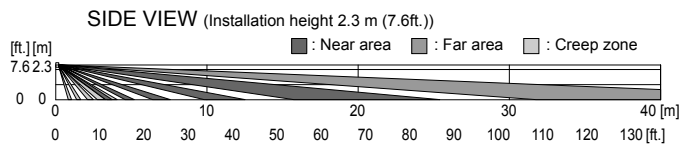
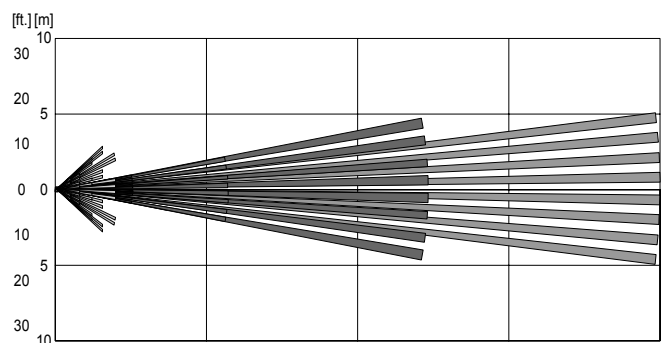
Applicable models: SIP-3020/5 **SIP-4010/5** SIP-404/5
TOP VIEW (Installation height 4.0 m (13ft.))



Applicable models: **SIP-3020/5** SIP-4010/5 SIP-404/5
TOP VIEW (Installation height 2.3 m (7.6ft.))



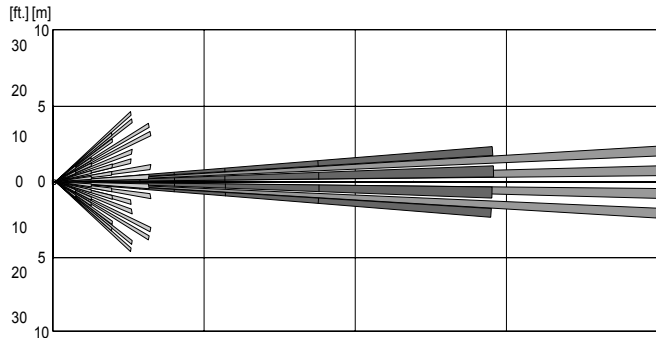
Applicable models: SIP-3020/5 **SIP-4010/5** SIP-404/5
TOP VIEW (Installation height 2.3 m (7.6ft.))



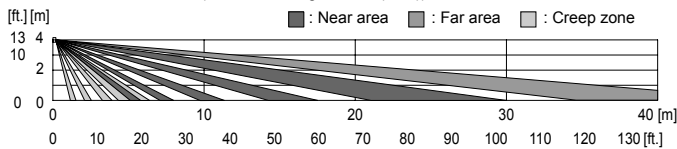
7 MASKING THE FAR AREA SENSOR

Applicable models: SIP-3020/5 | SIP-4010/5 | SIP-404/5

TOP VIEW (Installation height 4.0 m (13ft.))



SIDE VIEW (Installation height 4.0 m (13ft.))



The far area mirror mounted in the main unit has 2 far masking plates; one at the right side of this mirror and the other at the left side of this mirror. You can mask the detection area by changing the position of these masking plates.

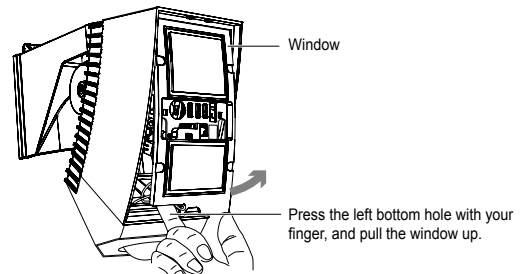
Cautions>>

- You can only mask the detection area from its outside to its inside using the masking plates. You cannot mask only the inside detection area.
- However, if you need to mask the inside detection area only, use the white space (margin) of the near area masking seal (an accessory) for the masking. Attach the seal and mask all mirrors that you need to shield.

Cautions>>

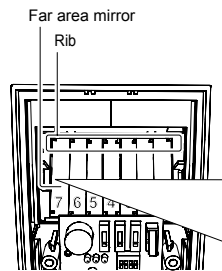
- The window is linked to the main unit by nylon wire loop so that the window does not fall. Do not pull the window using excessive force.
- After you have masked the detection areas, mount the window and place the excessive nylon wire loop inside the main unit.

How to remove the window>>

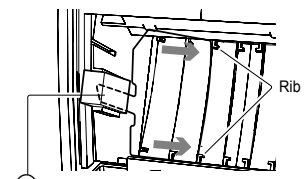


Applicable models: SIP-3020/5 | SIP-4010/5 | SIP-404/5

- 1 Remove the masking plate from the storage, and check the detection area and the mirror you use by referring to the area chart.



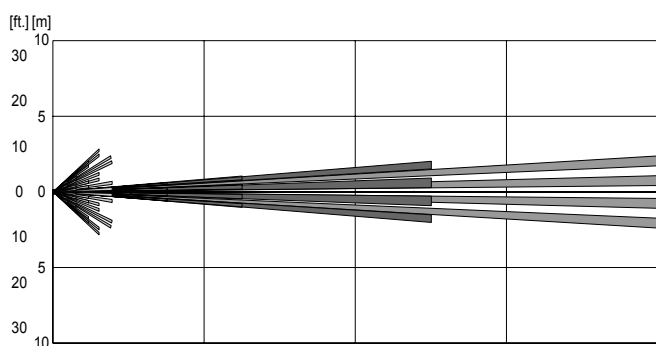
- 2 Attach the masking plate to the mirror, and secure it to the ribs.



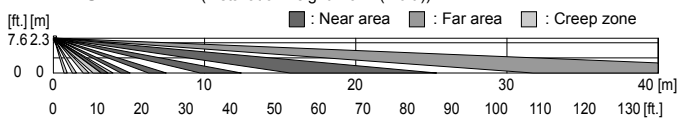
- 3 Insert the fixing rubber form to secure the knob of the masking plate.

Applicable models: SIP-3020/5 | SIP-4010/5 | SIP-404/5

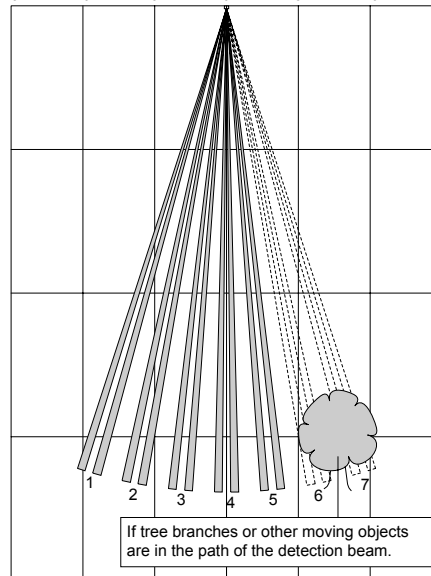
TOP VIEW (Installation height 2.3 m (7.6ft.))



SIDE VIEW (Installation height 2.3 m (7.6ft.))



50 40 30 20 10 0 10 20 30 40 50 [ft.]
15 10 5 0 5 10 15 [m]



8 MASKING THE NEAR AREA SENSOR

Applicable models

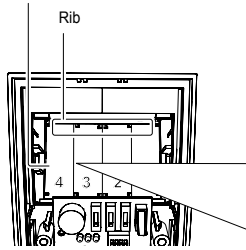
SIP-3020/5

SIP-4010/5

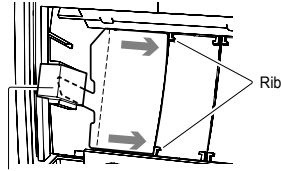
SIP-404/5

- 1 Remove the masking plate from the storage, and check the detection area and the mirror you use by referring to the area chart.

Far area mirror



- 2 Attach the masking plate to the mirror, and secure it to the ribs.

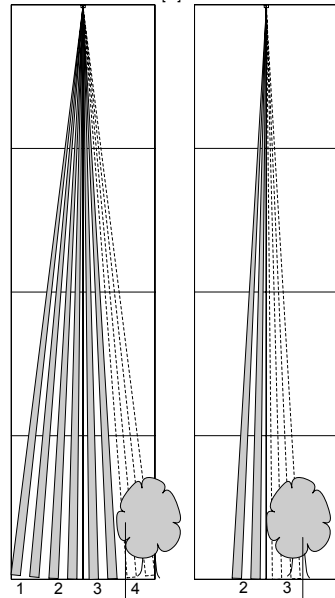


- 3 Insert the fixing rubber form to secure the knob of the masking plate.

SIP-4010/5

SIP-404/5

10 0 10 [ft.] 10 0 10 [ft.]
5 0 5 [m] 5 0 5 [m]



If tree branches or other moving objects are in the path of the detection beam.

8-1 Masking the Detection Areas using Masking Plates

The near area mirror mounted in the main unit has 2 near masking plates; one at the right side of this mirror and another at the left side of this mirror. You can mask the detection area by changing the position of these masking plates.

Cautions>>

You can mask the outside detection areas only; they are areas 1 and 6. Use the area masking seals (an accessory) to mask the other detection areas (see Step 8-2).

Applicable models

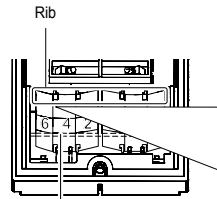
SIP-3020/5

SIP-4010/5

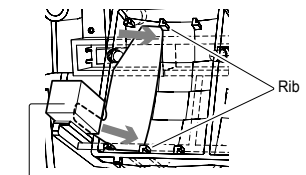
SIP-404/5

- 1 Remove the masking plate from the storage, and check the detection area and the mirror you use by referring to the area chart.

- 2 Attach the masking plate to the mirror, and secure it to the ribs.

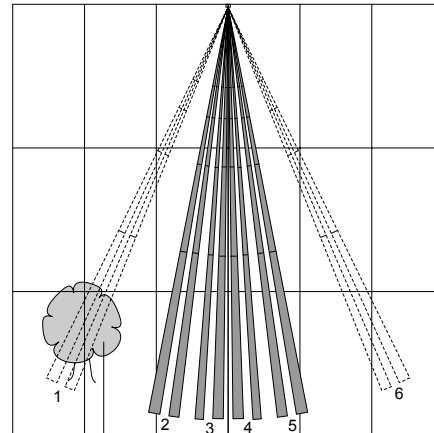


Near area mirror



- 3 Insert the fixing rubber form to secure the knob of the masking plate.

50 40 30 20 10 0 10 20 30 40 50 [ft.]
15 10 5 0 5 10 15 [m]



If tree branches or other moving objects are in the path of the detection beam.

ENGLISH

FRANÇAIS

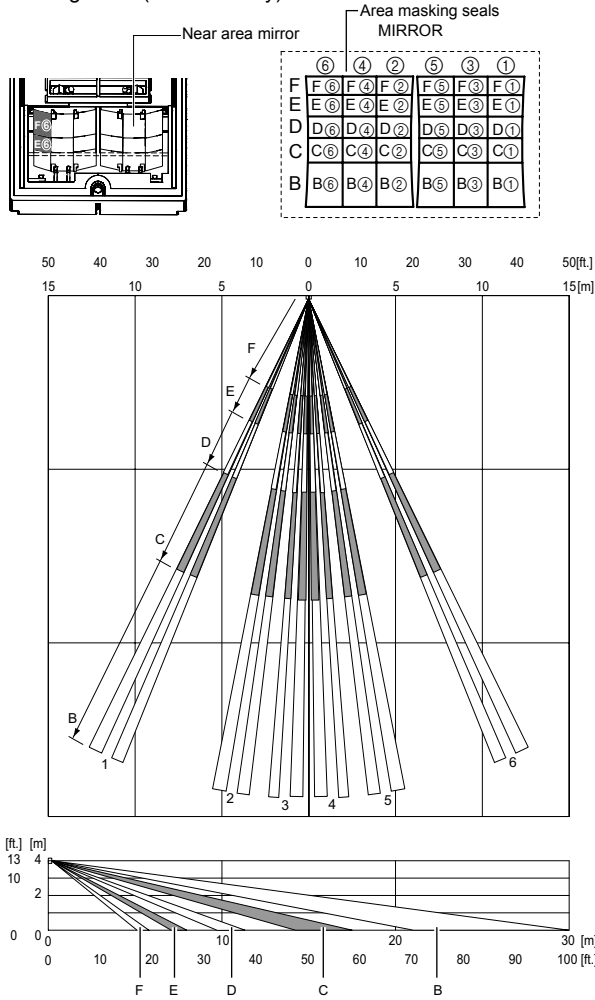
DEUTSCH

ITALIANO

ESPAÑOL

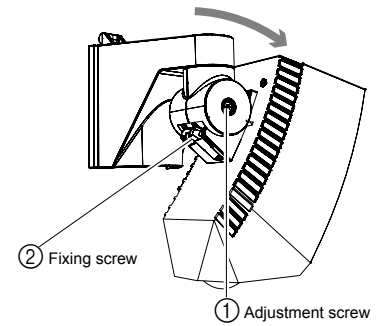
8-2 Masking the Detection Areas using Masking Seals

Using the tweezers (an accessory), carefully attach the area masking seals (an accessory) to the near area mirror.



9 TERMINATION PROCEDURE

- (1) After you have adjusted all sensor items, securely tighten all adjustment screws that you have loosened. Finally, securely tighten the bottom fixing screws.



Cautions>>

- If you need to adjust the detection area again, be sure to loosen the fixing screw. If you try to move the main unit without loosening the fixing screw, the unit may be damaged.
- When you mount the cover, place the excessive nylon wire loop in the main unit. If the wire has been pinched by the window and the cover, rain drops may be able to enter into the main unit.

- (2) Mount the cover.

10 OPERATION TEST

10-1 If There is a Public Street Where People Walk or Cars Drive by the Detection Area

Points>>

Reduce the size of the detection area so that it does not include any public streets.

- (1) Check to see that the arrow of the main unit is within the width of "Angle adjustment guide" on the adjustment screw.
- (2) Using the area viewfinder, check to see that the detection area does not include any public streets.
- (3) If the detection area does go beyond a public street, correct the vertical angle of the main unit. However, exercise care so that the arrow does not move away significantly from the "Angle adjustment guide" position.



If the arrow does move away significantly from the "Angle adjustment guide" position:

Mask the far area detection area using the masking plate or by using the far area masking switch. You may be required to also mask the near area detection area under specific sensor installation conditions (see Steps 5 and 8).

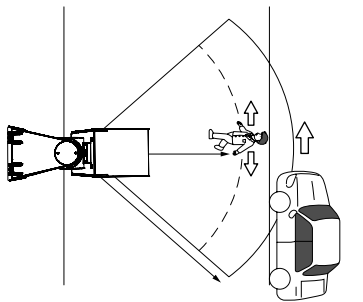
- (4) When a person walks along the street or a car drives along it, check the detection area using the walk tester.

Points>>

You cannot mount and use both the area viewfinder and walk tester simultaneously.

Cautions>>

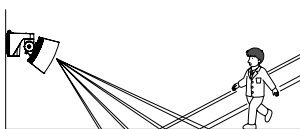
The detection area may increase if there is a large difference in temperature between the moving object and the background.



Cautions>>

A heat source beyond the detection area may cause a false alarm due to the reflection of heat off the ground. Examples of types of surfaces that reflect include water (puddles), wet roads, smooth concrete surfaces and asphalt roads.

If the source of the heat is strong and/or the reflection rate is high, the detection distance will be longer than required and may detect unnecessary objects beyond the target area. Therefore, select the detection range position according to the ground conditions of the installation site.



10-2 If Tree Branches or Grass are Detected When They Move Within the Detection Area

Points>>

Adjust the detection area so that it does not cover tree branches or grass that move when the wind blows.

- (1) Check to see that the arrow of the main unit is within the width of "Angle adjustment guide" on the adjustment screw.
- (2) Using the area viewfinder, check to see that the detection area does not cover tree branches or grass that may move when the wind blows.
- (3) Use the walk tester to listen for sound level changes when there is no apparent activity in the detection area. Adjust the detection area so that it does not detect unwanted areas.



If the sound level changes, some part of the detection area must be active (i.e.: an object is moving).

- (4) Use the walk tester and locate the part of the detection area that is active. Change the walk tester selector switch position and determine whether the active part of the detection area is far or near.
- (5) Using the area viewfinder again, locate the active detection area.
- (6) Mask the active detection area. To do this, mask the area using the masking plate or the masking seal. Otherwise mask the area using the far area masking switch (see Steps 5, 7, and 8). Creep zone cannot be masked. Adjust the detection area again (see Step 4-2).
- (7) Using the walk tester again, check that the sound level changes. If the sound level does not change excessively, you can finish the adjustment.

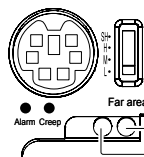
Points>>

You cannot mount and use both the area viewfinder and the walk tester simultaneously.

11 LED STATUS

Cautions>>

If the red LED keeps blinking for approx. 60 seconds after turning the power on, turn the power off and then on again.



Detector Status	LED Status
During power ON	Blinks.
During standby	Turns OFF.
When detected (in far/near area)	Lights.
When detected (in creep zone)	Lights.

12 SPECIFICATIONS

Applicable models

SIP-3020/5

SIP-4010/5

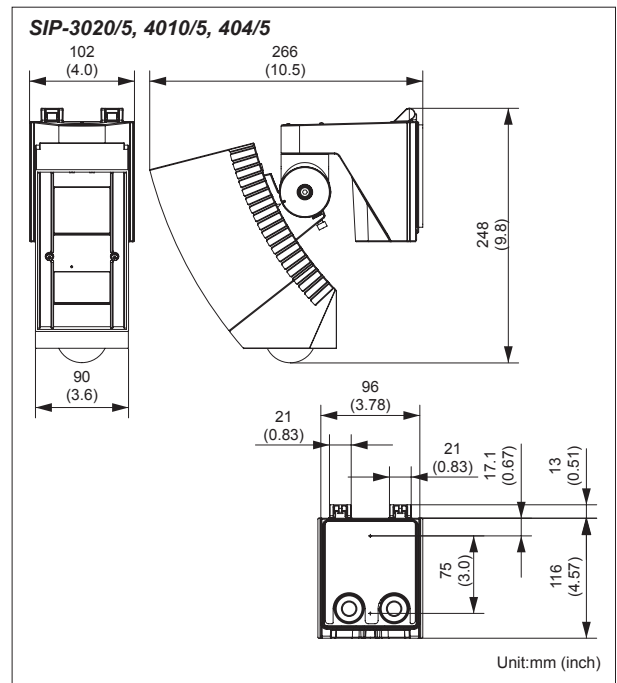
SIP-404/5

Model	SIP-3020/5	SIP-4010/5	SIP-404/5
Detection method	Passive infrared		
Coverage (Main area)	30 x 20m (100 x 65ft.)	40 x 10m (130 x 33ft.)	40 x 4m (130 x 13ft.)
* Environmental condition may effect to the size of coverage area. * It may be reduced to 90% in the worst case.			
Coverage (Creep zone)	3x5 m (10x16 ft.) at 2.3 m (7.6ft.) height 6x9 m (20x30 ft.) at 4 m (13ft.) height Detection angle adjustable		
Number of detection zones	Main area	74 zones	48 zones
	Creep zone	36 zones	
Mounting height	2.3 to 4m (7.6 to 13ft.)		
Power input	11 - 26V DC 22 - 26V AC * UL-6		
	With optional heating unit	22 - 26V DC/AC * UL-6	
Current draw	45mA max. (12V DC) 85mA max. (24V AC) * UL-6		
	With optional heating unit	425mA max. (24V AC) * UL-6	
Operation indicator	Far alarm and Near alarm	Red LED	
	Creep zone alarm	Red LED	
Alarm period	Approx. 2 sec.		
Warm-up period	Approx. 60 sec.		
Detection range selector	Far area: ON / OFF		
Alarm interval period	0 / 15 / 30 / 60 sec.		
Detection logic selector	AND/OR		
Tamper output * UL-7	N.C. 28V DC, 0.1A max.		
Trouble output * UL-7	N.C. 28V DC, 0.2A max.		
Alarm output * UL-7	Main area	N.C.28V DC, 0.2A max. N.O.28V DC, 0.2A max.	
	Creep zone	N.C.28V DC, 0.2A max. N.O.28V DC, 0.2A max.	
Sensitivity selector	Far: SH/H/M/L Near: SH/H/M/L Creep zone: SH/H/M/L		
Operating temperature	Without optional heating unit	-25 to +60°C (-13 to +140°F) * UL-6	
	With optional heating unit	-40 to +60°C (-40 to +140°F)	
IP rating	Main unit :IP65 Chassis :IP55		
Dimensions (H x W x D)	248 x 102 x 266 mm (9.8 x 4.0 x 10.5 in.)		
Weight	1.4 kg (48 oz.)		
Accessories	2 Screws 2 Nylon anchors 1 Paper template 1 Allen key 1 Area masking seal 1 Tweezers 1 Instruction manual 1 Area plate 1 Fixing rubber form		

* UL-6: Not evaluated by UL.

* UL-7: All relay outputs are resistive load only.

DIMENSION



OPTION

- OPM-WT, AWT-3 -Audio Walk Tester
- AVF-1 -Area View Finder
- SIP-MINIHOOD -Sun/Snow shield
- SIP-HU -Heating unit

* UL-8: All option equipment are not evaluated by UL.

Cautions>>

When SIP-HU is used, the power for SIP unit should be 22 - 26V DC/AC.

These units are designed to detect movement to activate CCTV system. Being only part of a complete surveillance system, we cannot accept responsibility for any damage or other consequences resulting from the activation of the unit.

Specifications and design are subject to change without prior notice.

EU contact information

Manufacturer:

OPTEX CO., LTD.
5-8-12 Ogoto, Otsu, Shiga, 520-0101 JAPAN

Authorised representative in Europe:

OPTEX (EUROPE) LTD. / EMEA HEADQUARTERS
Marandaz House 1 Cordwallis Park, Clivemont Road,
Maidenhead, Berkshire, SL6 7BU U.K.



OPTEX CO., LTD. (JAPAN)

URL: <http://www.optex.net>

OPTEX INC. (U.S.)

URL: <http://www.optexamerica.com>

OPTEX DO BRASIL LTDA. (Brazil)

URL: <http://www.optex.net/br/es/sec>

OPTEX (EUROPE) LTD.

/ EMEA HQ (U.K.)
URL: <http://www.optex-europe.com>

OPTEX TECHNOLOGIES B.V.

(The Netherlands)
URL: <http://www.optex.eu>

OPTEX SECURITY SAS (France)

URL: <http://www.optex-security.com>

OPTEX SECURITY Sp.z o.o. (Poland)

URL: <http://www.optex.com.pl>

OPTEX PINNACLE INDIA, PVT., LTD.

(India)
URL: <http://www.optex.net/in/en/sec>

OPTEX KOREA CO.,LTD. (Korea)

URL: <http://www.optexkorea.com>

OPTEX (DONGGUAN) CO.,LTD.

SHANGHAI OFFICE (China)
URL: <http://www.optexchina.com>

OPTEX (Thailand) CO., LTD. (Thailand)

URL: <http://www.optex.net/th/th>

Copyright (C) 2017 OPTEX CO.,LTD.